



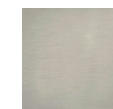
METRO²

design Piero Lissoni

Fix or modular sofa with lacquered steel frame. Support in beech plywood slats. Armrests and backrests structure in double-panelled poplar and pine joined at the base with passing through guides linked one to the other by plastic elements that enables the backrest and armrests to be unhooked from the frame to allow removal of the covers, for fabric upholstery only. Padding in differentiated density polyurethane foam.

Covering in needle punched, resinated, nonwoven polyester fibre, bonded onto a polyamide velveteen backing. Steel base with satin nickel-finish. Fabric or leather upholstery. The fabric version only is fully removable by zippers and Velcro fastenings. The various elements are joined together by means of hooks. Seat depth: 64cm–138cm.

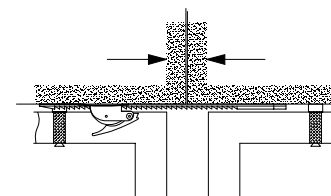
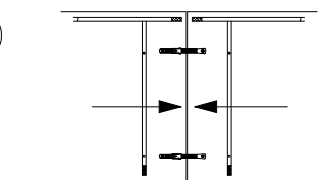
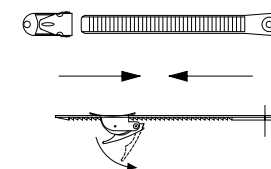
Base



Steel with
Satin Nickel
Finish

Notes

Hook for assembly of modular elements.



Modular elements are joined with provided hooks for assembly, as per instructions included with the product.

Elements with leather upholstery, have fix armrests/backrests; the covers are not removable.

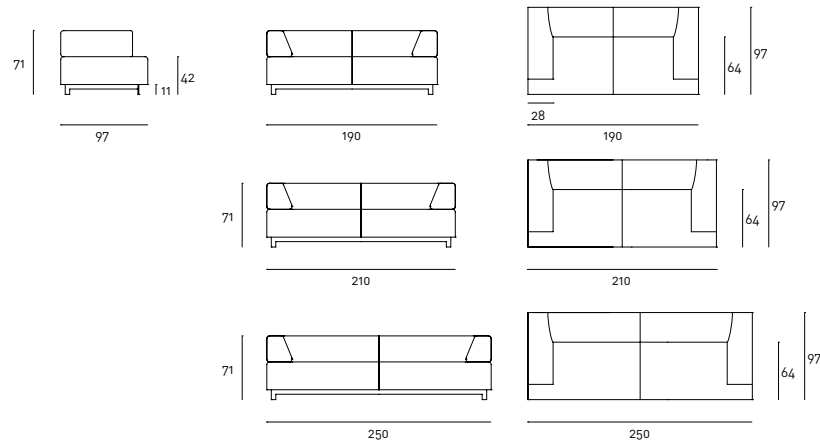
The central stitching on elements cm. 140x140, can be avoided only if upholstered with fabrics higher than cm. 140.

Elements with central backrest cannot be combined with elements with lateral backrest.

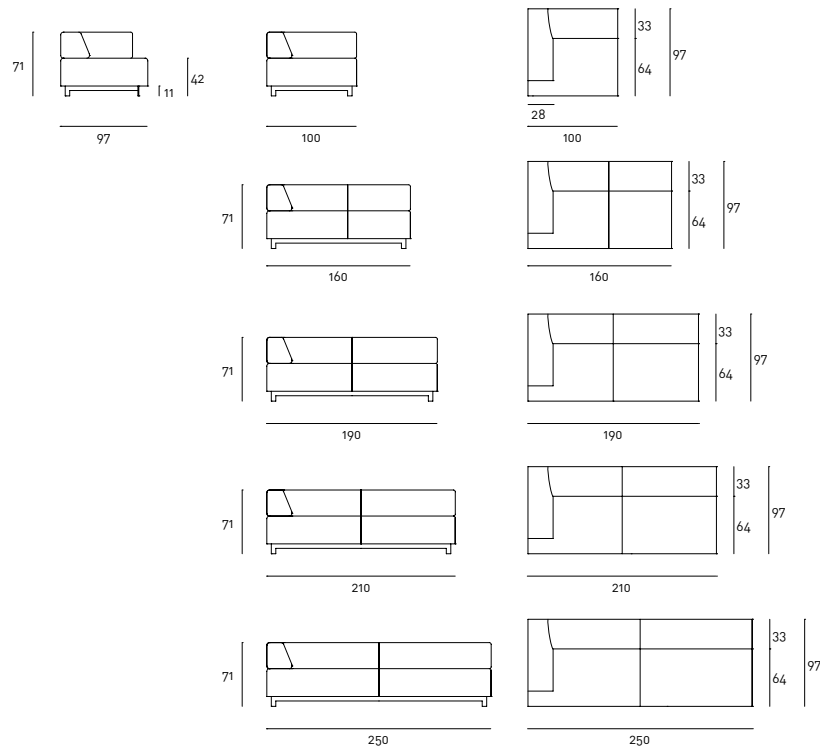
All elements cm. 160x160 have one central stitching.

For compositions with different elements, please attach a general sketch to the order.

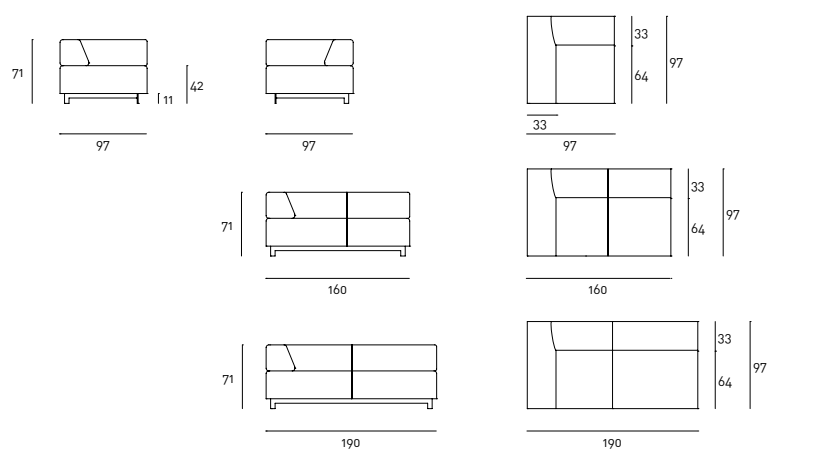
Technical Drawings
Sofa



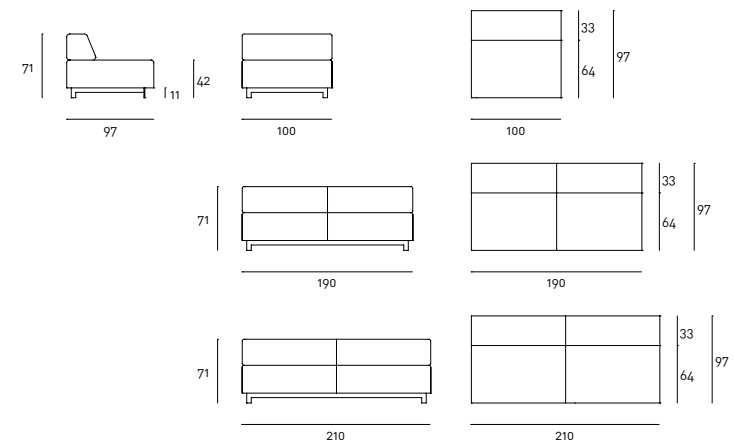
Terminal Element



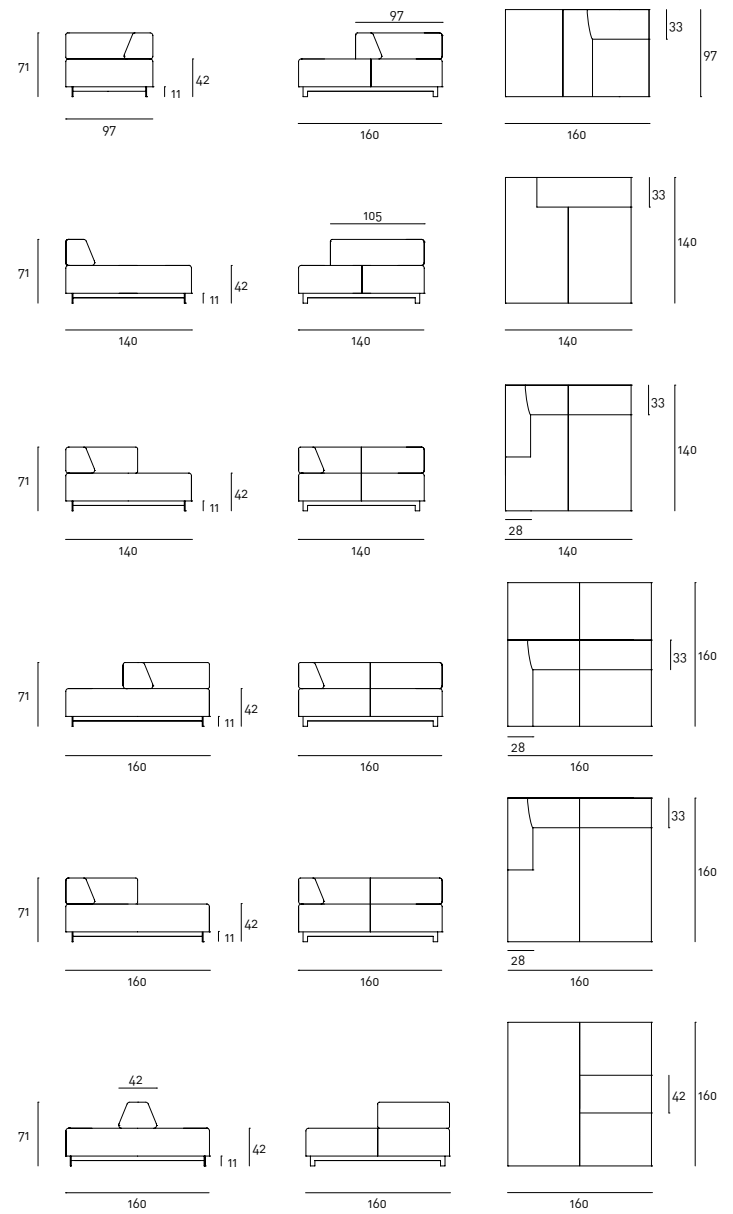
Corner Element



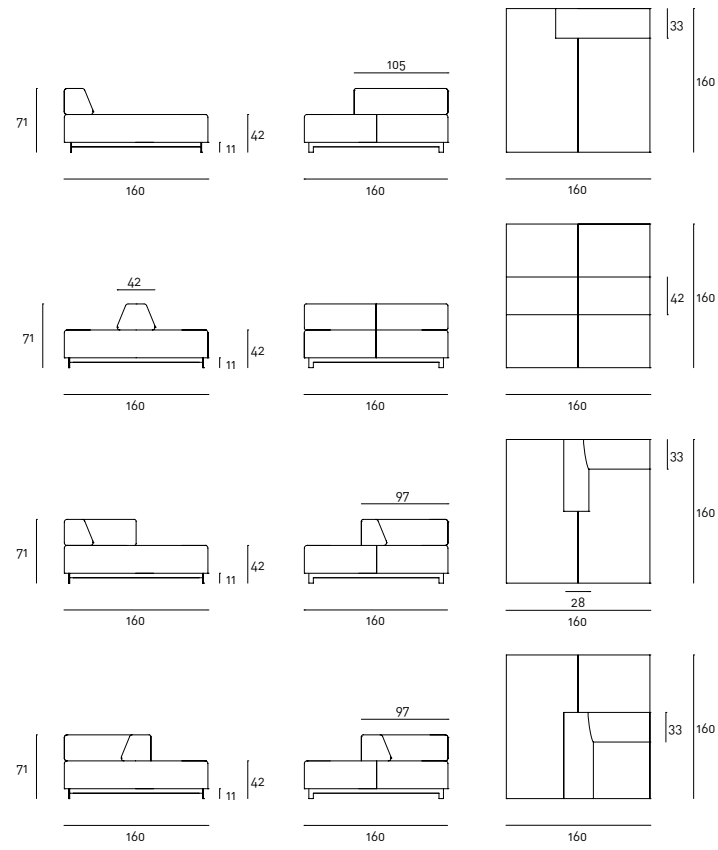
Central Element



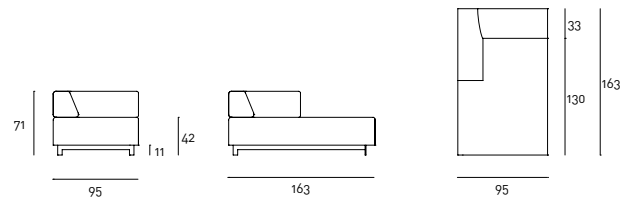
Element



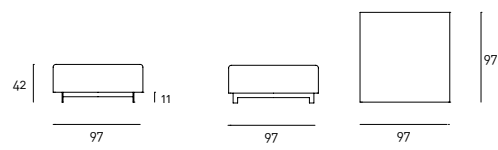
Element



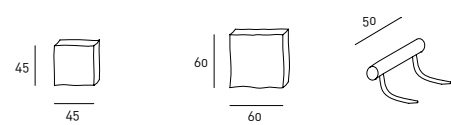
Long Seat



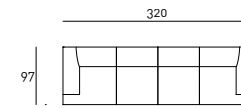
Footrest



Loose Cushion

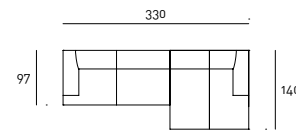


Examples of Composition
Composition 01



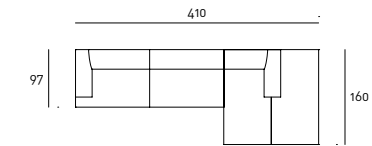
ME2T160 SX
ME2T160 DX

Composition 03



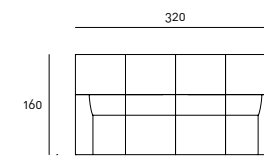
ME2T190 SX
ME2M140 DX

Composition 02



ME2T250 SX
ME2W160 DX

Composition 04



ME2K160 SX
ME2K160 DX

The commercial codes refer to the elements chosen in the above-proposed compositions.

